

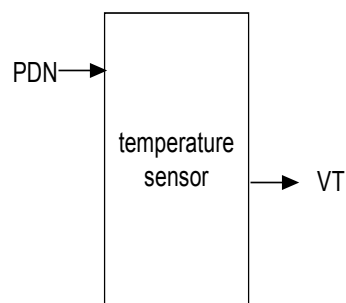
DATA SHEET

Typical Applications

- Oven Controlled Crystal Oscillator (ultra-stable oscillator)
- thermometers

Features

- Technology BiCMOS
- Area : 0.17 mm²
- Consumption : 200 μA typical
- Operating supply voltage : 4.5 V – 5.5 V
- Power down mode
- output slope: 10 mV/°C (configurable)



Pin Name	Description
PDN	Power down control (active high).
VT	output voltage
VDD	High power supply
VSS	Low power supply

Product Description

This block delivers a voltage proportional to the temperature (10 mV/°C configurable)

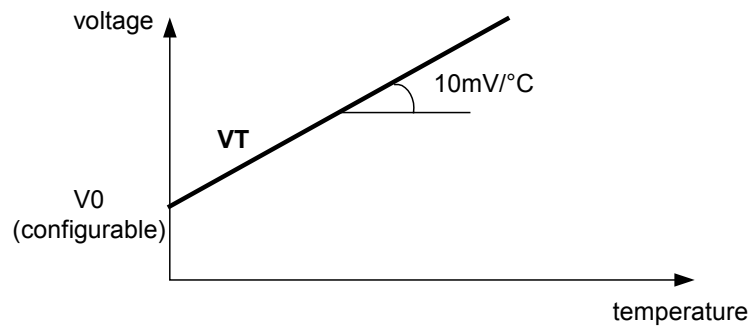
A power down is available

Absolute Maximum Ratings

Symbol	Parameter	Min	Typ	Max	Unit
VDD	Power supply voltage	4.5		5.5	V
Tjc	Junction temperature	-40		95	°C
Tst	Storage temperature	-65		150	°C

Characteristics

Symbol	Parameter	Min	Typ	Max	Unit
VDD	High power supply	4.5		5.5	V
VSS	Low power supply		0		V
IDD	Supply Current		200		μA
IDD_PD	Supply Current in Power Down Mode			0.1	μA
VT slope	output slope		10		mV/°C
Tinac	temperature inaccuracy			+/-5	°C



Block diagram

